



# SM-6000 AI G

AI - Powered Smart Recognition Scale



*Searching for a New Balance*

# The Search Is Over.

SM-6000 AI G's built-in Edge computing AI module helps retailers harness the power of enterprise-grade cognitive intelligence, enabling rapid and accurate product identification for a seamless self-weighing experience.

## Core Features

- **Fast Detection**  
Search-free operation with <2 seconds average detection speed
- **High Accuracy**  
Up to 97% accurate rate
- **Fast Deployment**  
Deploy quicker with an Extensive collection of 1,500 pre-trained model
- **Reduce Shrinkage**  
Product recognition & other integrated features prevent mis-selection or unintentional fraud
- **Self-Learning**  
Accuracy increases with each use
- **No External Server**  
Data collection & processing happen locally with edge computing

## Operation



### 01 WEIGH

Place item onto the scale platter



### 02 SELECT

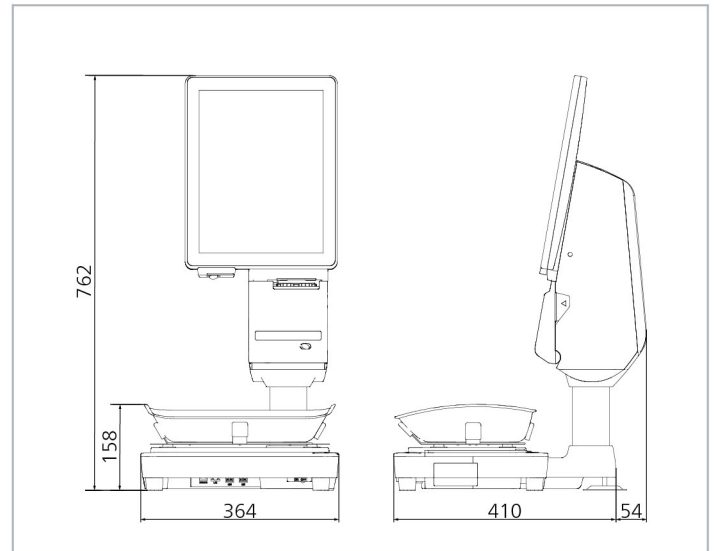
AI generates best-matched results for easy PLU selection



### 03 PRINT / SCAN

Print label and paste onto the bag. Alternatively, scan QR code on screen.

## External Dimensions (mm)



## Specifications

Capacity	Resolution	Max 6kg	Max 15kg / 30lb	Max 30kg
Single Interval	1 / 3,000	e = 2g	e = 5g / 0.01lb	e = 10g
	1 / 6,000	e = 1g	—	e = 5g
	1 / 7,500	—	e = 2g	—
Capacity	Resolution	Max 3 / 6kg	Max 6 / 15kg	Max 15 / 30kg
Multi Interval	1 / 3,000	e = 1 / 2g	e = 2 / 5g	e = 5 / 10g

Model	SM-6000 AI G	
Dimension WxDxH(mm)	364 x 464 x 762	
Operator Display	15 " TFT XGA with Capacitive Touch (768 x 1024)	
Camera	480p in resolution with built-in LED	
Label / Receipt	Types	Linerless With Auto-Cutter
	Roll Diameter	Max 95mm
	Roll Width	Max 62mm
	Print Width	Max 61mm
	Printing Speed	Max 150mm / second*
	Print Resolution	300 dpi
Power Source	Compliance to 80PLUS Power Saving**	
Operating Temperature	-10°C to +40°C	
Humidity	15% to 85% RH Non-Condensation	
Standard Interface	Ethernet 10 / 100 Base T, 4 x USB 2.0, RJ11	
Net Weight	16.7 kg	

Options	Wireless LAN IEEE 802.11 a / b / g / n / ac, InfoTag, e.Label with Hi-Touch, Base Station, Speed ID, BYO***, Contactless
Factory Option	Auto Tilt Sensor



- \* To achieve maximum print speed, high sensitivity thermal paper is necessary.
- \*\* 100-120Vac Gold (North America, Canada and Japan)  
210-240Vac Silver (European, UK and most of Asia)
- \*\*\* Plastic platter required.

• Specifications are subject to change without prior notice